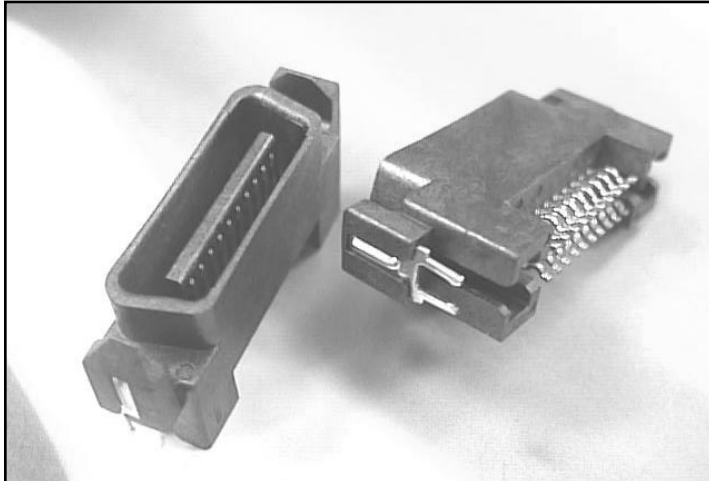


.050" (1.27) GBIC Straddle Mount Male Connectors



511 SERIES "GBIC"

PART NUMBER LEGEND

511 - 210 - 95 - 7028

PLATING CODE

8 = 0.000762 [.000030"] Select Gold

INSULATOR MATERIAL CODE

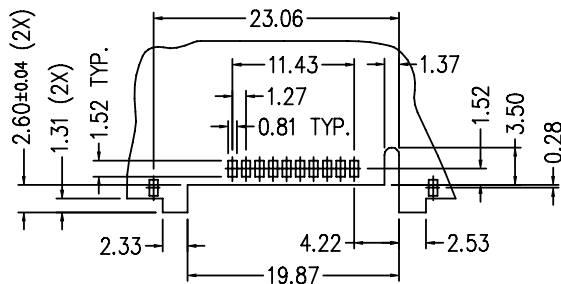
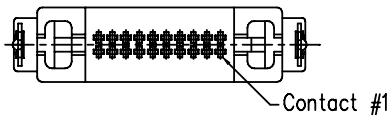
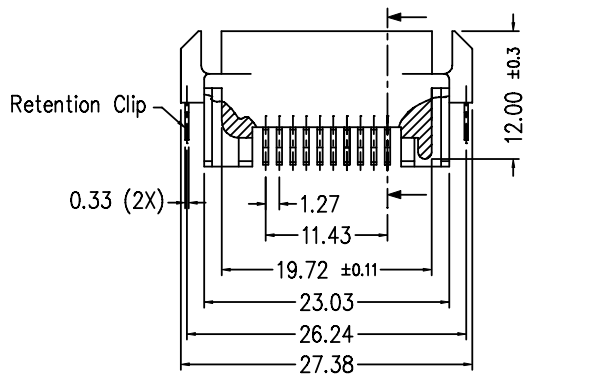
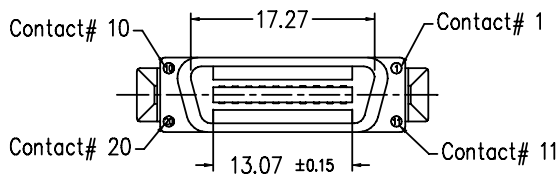
NUMBER OF POSITIONS

1) INSULATOR : LIQUID CRYSTAL POLYMER (LCP)
BLACK, UL94V-0

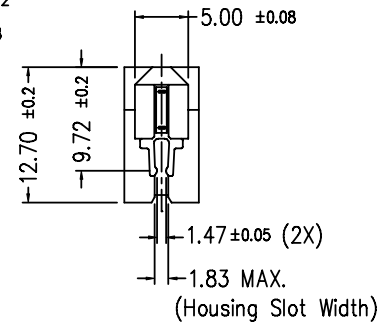
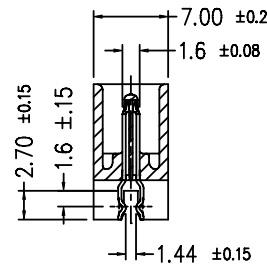
PINS : PHOSPHOR BRONZE

2) PIN FINISH :

8 : 0.00127 ~ 0.00381mm min. Nickel underplate all over
Contact area : 0.000762mm min. Gold plate
Solder tail : 0.00254 ~ 0.00508mm 90/10 Tin/Lead



RECOMMENDED PC BOARD LAYOUT
P.C. BOARD THICKNESS : 1.60mm [.062"]



North and South America:

Methode Electronics, Inc. Connector Products

1700 Hicks Road • Rolling Meadows, IL 60008 USA

847-392-3500 • Toll Free: 800-323-6864 • Fax: 847-392-9404

Email: info@methode.com • Web: www.methode.com/connector/index.html

Europe:

Methode Electronics Ireland, Ltd.

Unit H, Crossagalla Business Park, Ballysimon Rd. • Limerick, Ireland

+353 (0) 61 401222 • Fax: +353 (0) 61 401942

Email: info@methode.ie • Web: ireland.methode.com/main.html

Far East:

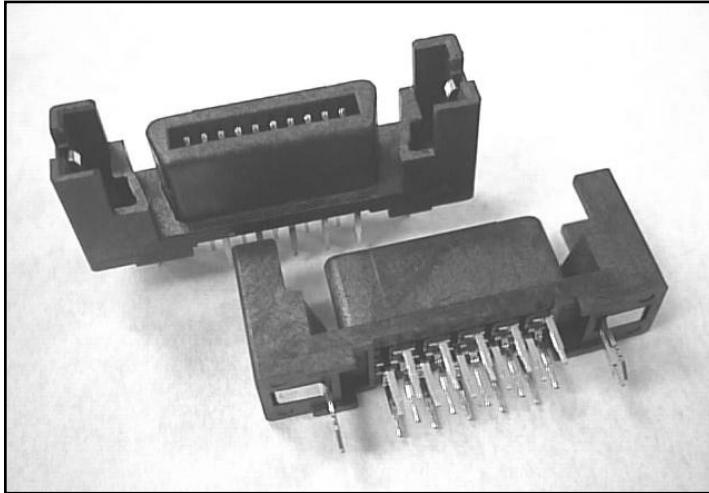
Methode Electronics Far East, Pte. Ltd.

1 Tuas Lane, Jurong Town • Singapore 638610

65-68615444 • Fax: 65-68614777

Email: sales@methode.com.sg • Web: www.methode.com/mefe/index.html

.050" (1.27) GBIC Through Board Sequencing, Female Connectors



512 SERIES "GBIC"

PART NUMBER LEGEND

512 - 210 - 92 - 1018

PLATING CODE

8 = 0.000762 [.000030"] Select Gold

INSULATOR MATERIAL CODE

NUMBER OF POSITIONS

10 Position = 20 pins: GBIC

NOTES

1) INSULATOR : LIQUID CRYSTAL POLYMER (LCP)
BLACK, UL94V-0

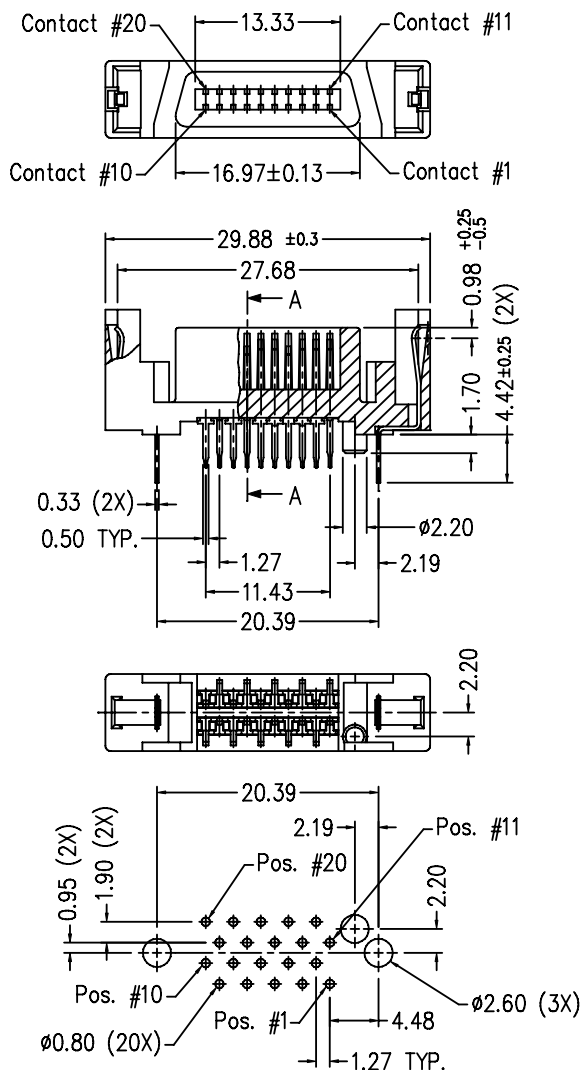
PINS : PHOSPHOR BRONZE

2) PIN FINISH :

8 : 0.00127 ~ 0.00381mm min. Nickel underplate all over

Contact area : 0.000762mm min. Gold plate

Solder tail : 0.00254 ~ 0.00508mm 90/10 Tin/Lead



RECOMMENDED PC BOARD LAYOUT

NOTES:

CONTACTS 1 THROUGH 10,15 AND 16

ARE POSITIONED AWAY FROM THE MATING FACE (SECOND MATE)

CONTACTS 11 THROUGH 14 AND 17 THROUGH 20

ARE POSITIONED TOWARD THE MATING FACE (FIRST MATE)



North and South America:

Methode Electronics, Inc. Connector Products

1700 Hicks Road • Rolling Meadows, IL 60008 USA

847-392-3500 • Toll Free: 800-323-6864 • Fax: 847-392-9404

Email: info@methode.com • Web: www.methode.com/connector/index.html

Europe:

Methode Electronics Ireland, Ltd.

Unit H, Crossagalla Business Park, Ballysimon Rd. • Limerick, Ireland

+353 (0) 61 401222 • Fax: +353 (0) 61 401942

Email: info@methode.ie • Web: ireland.methode.com/main.html

Far East:

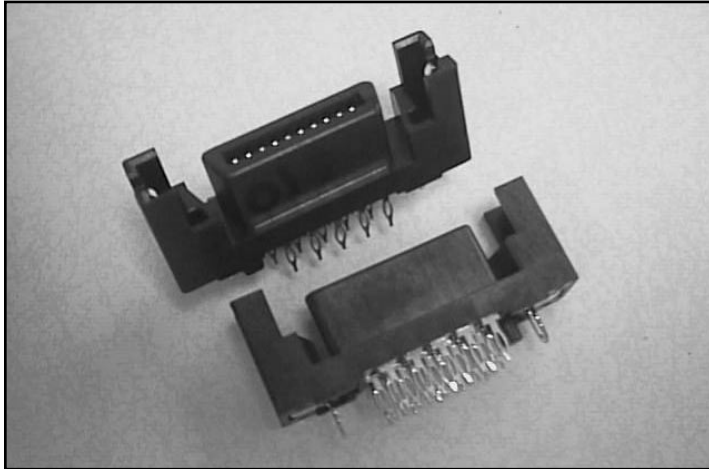
Methode Electronics Far East, Pte. Ltd.

1 Tuas Lane, Jurong Town • Singapore 638610

65-68615444 • Fax: 65-68614777

Email: sales@methode.com.sg • Web: www.methode.com/mefe/index.html

.050" (1.27) GBIC Through Board Press Fit, Female Connectors



512 SERIES "GBIC"

PART NUMBER LEGEND

512 - 210E - 92P - 1018

PLATING CODE

8 = 0.000762 [.000030"] Select Gold

INSULATOR MATERIAL CODE

EXTENDED HEIGHT

INSULATOR HEIGHT (SEE TABLE)

NUMBER OF POSITIONS

10 Position = 20 pins: GBIC

NOTES

1) INSULATOR : LIQUID CRYSTAL POLYMER (LCP)
BLACK, UL94V-0

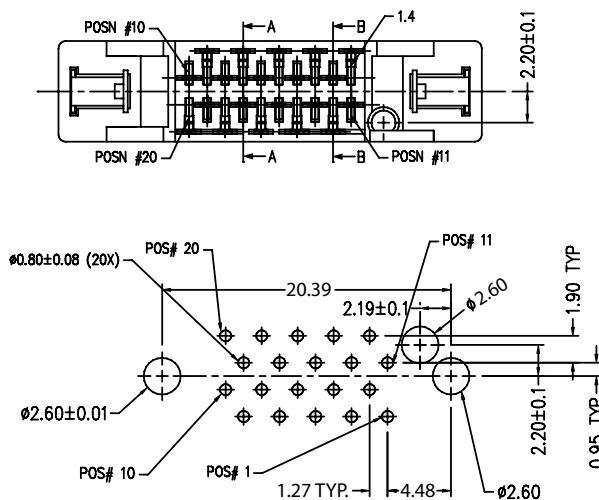
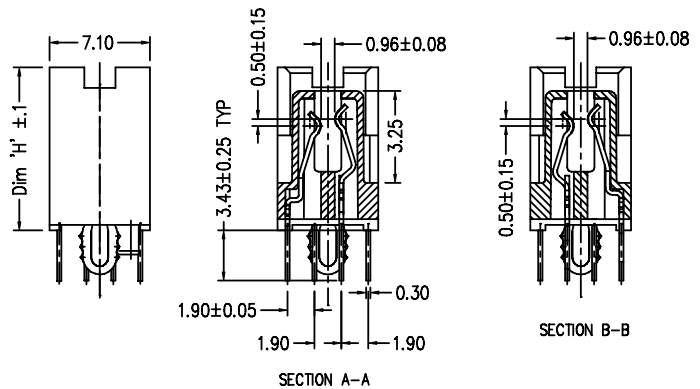
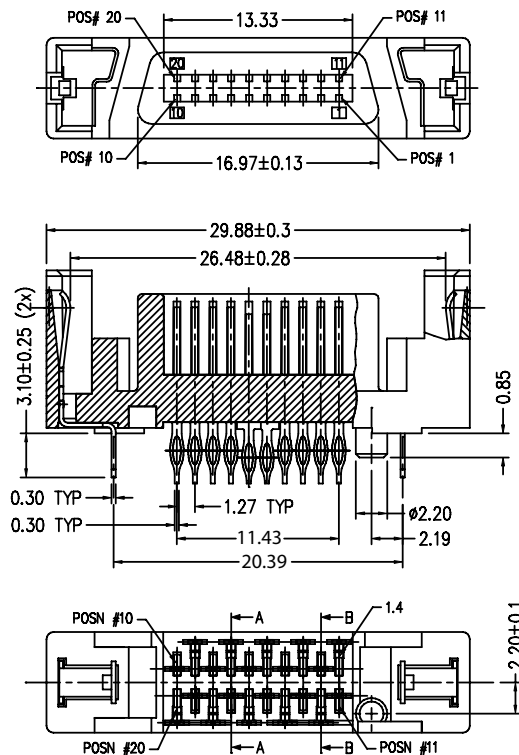
PINS : PHOSPHOR BRONZE

2) PIN FINISH :

8 : 0.00127 ~ 0.00381mm min. Nickel underplate all over

Contact area : 0.000762mm min. Gold plate

Solder tail : 0.00254 ~ 0.00508mm 90/10 Tin/Lead



RECOMMENDED PC BOARD LAYOUT

TABLE I		
Part Number	Dimension 'H'	Remarks
512-210 -92P-101X	11.50	Standard Height
512-210E-92P-101X	17.50	Extended Height

NOTES:

CONTACTS 1 THROUGH 10, 15 AND 16
ARE POSITIONED AWAY FROM THE MATING FACE (SHORT)
CONTACTS 11 THROUGH 14 AND 17 THROUGH 20
ARE POSITIONED TOWARD THE MATING FACE (LONG)



North and South America:

Methode Electronics, Inc. Connector Products

1700 Hicks Road • Rolling Meadows, IL 60008 USA

847-392-3500 • Toll Free: 800-323-6864 • Fax: 847-392-9404

Email: info@methode.com • Web: www.methode.com/connector/index.html

Europe:

Methode Electronics Ireland, Ltd.

Unit H, Crossagalla Business Park, Ballysimon Rd. • Limerick, Ireland

+353 (0) 61 401222 • Fax: +353 (0) 61 401942

Email: info@methode.ie • Web: ireland.methode.com/main.html

Far East:

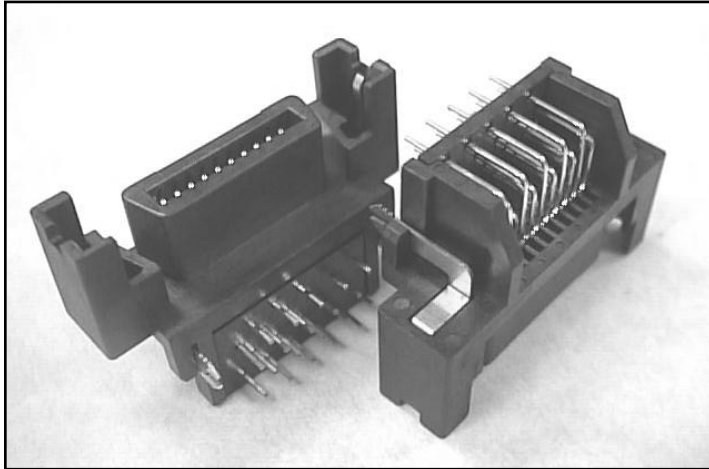
Methode Electronics Far East, Pte. Ltd.

1 Tuas Lane, Jurong Town • Singapore 638610

65-68615444 • Fax: 65-68614777

Email: sales@methode.com.sg • Web: www.methode.com/mefe/index.html

.050" (1.27) GBIC Right Angle Female Connectors



512 SERIES "GBIC"

PART NUMBER LEGEND

512 - 210 - 95 - 30X8

PLATING CODE

8 = 0.000762 [.000030"] Select Gold

SOLDER TAIL LENGTH 'A' (SEE TABLE 1)

INSULATOR MATERIAL CODE

10 Position = 20 pins: GBIC

NOTES

1) INSULATOR : LIQUID CRYSTAL POLYMER (LCP)
BLACK, UL94V-0

PINS : PHOSPHOR BRONZE

2) PIN FINISH :

8 : 0.00127 ~ 0.00381mm min. Nickel underplate all over
Contact area : 0.000762mm min. Gold plate
Solder tail : 0.00254 ~ 0.00508mm 90/10 Tin/Lead

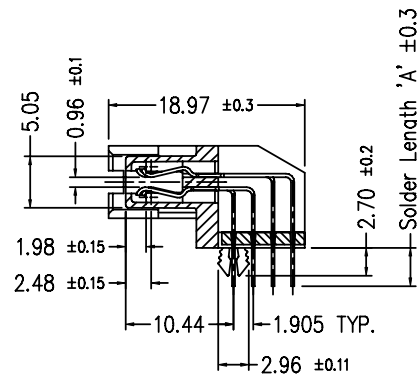
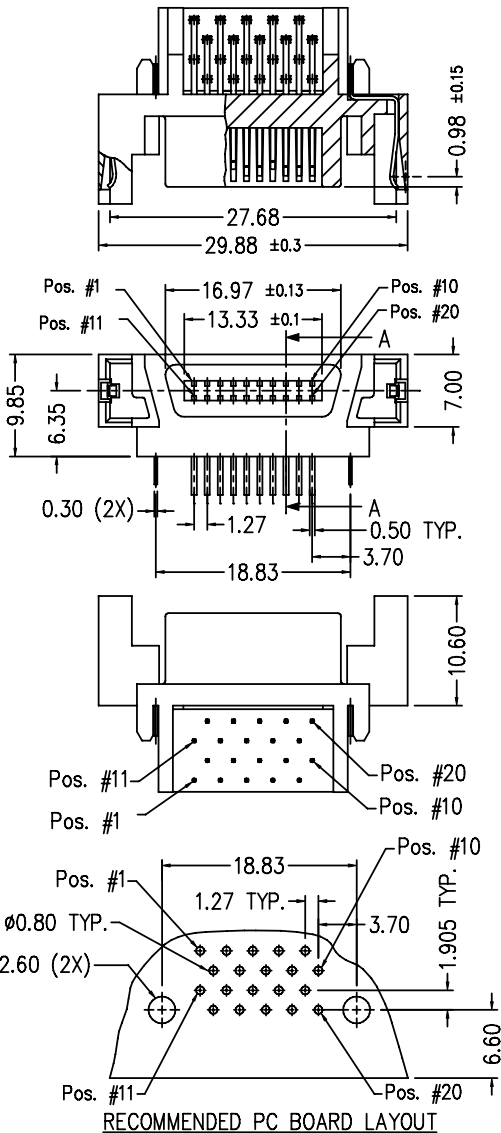


TABLE I

Part Number	Dimension 'A'
512-210-95-3018	2.54 mm
512-210-95-3038	3.70 mm

NOTES:

CONTACTS 1 THROUGH 10, 15 AND 16 ARE POSITIONED AWAY FROM THE MATING FACE (SECOND MATE)

CONTACTS 11 THROUGH 14 AND 17 THROUGH 20 ARE POSITIONED TOWARD THE MATING FACE (FIRST MATE)



North and South America:

Methode Electronics, Inc. Connector Products

1700 Hicks Road • Rolling Meadows, IL 60008 USA

847-392-3500 • Toll Free: 800-323-6864 • Fax: 847-392-9404

Email: info@methode.com • Web: www.methode.com/connector/index.html

Europe:

Methode Electronics Ireland, Ltd.

Unit H, Crossagalla Business Park, Ballysimon Rd. • Limerick, Ireland

+353 (0) 61 401222 • Fax: +353 (0) 61 401942

Email: info@methode.ie • Web: ireland.methode.com/main.html

Far East:

Methode Electronics Far East, Pte. Ltd.

1 Tuas Lane, Jurong Town • Singapore 638610

65-68615444 • Fax: 65-68614777

Email: sales@methode.com.sg • Web: www.methode.com/mefe/index.html